



**EASITAG SINGLE**  
Installation Guide  
Issue: 002a



## 1 Legal and Copyright Notice

Entrotec regularly develop and enhance product lines, these changes will be included in the latest documentation. Whilst every effort has been made to ensure the accuracy of the information supplied herein, Entrotec cannot be held responsible for any errors or omissions. The materials contained in this document are protected and may be subject to intellectual property rights. Copyright 2016 by Entrotec Limited. All rights reserved.

## 2 Installation Specification

It is the responsibility of the installer to follow Entrotec's installation and cable specification as well as ALL relevant wiring regulations. Failure to comply with Entrotec's installation and cable specification may result in erratic operation of equipment and could invalidate any warranty.

Installations must comply with the following standards:

- BS 7671: Requirements for electrical installations. IET Wiring Regulations 17th Edition.
- BS EN 50133-1: Alarm systems. Access control systems for use in security applications. System requirements.
- BS EN 50133-2-1: Alarm systems. Access control systems for use in security applications. General requirements for components.
- BS EN 50133-7: Alarm systems. Access control systems for use in security applications. Application guidelines.
- BS 7807: Code of practice for design, installation and servicing of integrated systems incorporating fire detection and alarm systems and/or other security systems for buildings other than dwellings.

IET Wiring Regulations 17th Edition: Regulation 528-01 (Proximity to electrical services) imposes requirements for segregation of door entry / access control circuits (Band I), 230VAC mains circuits (Band II) and other higher voltage circuits.

IET Wiring Regulations 17th Edition: Regulations 542 to 543 impose requirements for earthing and bonding conductors. Ensure ALL metalwork is bonded to the building's earth, this includes call panels, exit switches, cabinets and metal conduit. Ring terminals and earth points are provided on call panels and cabinets to terminate earth cables, ensure these connections are made.

## 3 Warranty and Support

Entrotec systems are renowned for their reliability and have a 2 year warranty on all Entrotec manufactured products as standard. This warranty does not cover water damage, vandalism, mains electrical faults, lightning strikes, damage caused by miswiring or cable faults.

Entrotec offer complimentary training courses and telephone support:

**0844 858 6370** (8:30am to 5pm Mon-Thurs and 8:30am to 4pm Friday – call charges may vary).

## Contents

<b>1</b>	<b>Legal and Copyright Notice .....</b>	<b>3</b>
<b>2</b>	<b>Installation Specification.....</b>	<b>3</b>
<b>3</b>	<b>Warranty and Support .....</b>	<b>3</b>
<b>4</b>	<b>Introduction .....</b>	<b>5</b>
<b>5</b>	<b>Cable Specification .....</b>	<b>5</b>
	5.1 Typical Configuration .....	5
<b>6</b>	<b>Overview.....</b>	<b>6</b>
	6.1 EasiTag Single Panel – Rear View .....	6
	6.2 Connections, Settings and Fuses .....	6
	6.3 EasiTag Single Panel – Front View .....	7
<b>7</b>	<b>Power Supply Connections .....</b>	<b>7</b>
<b>8</b>	<b>Lock Connections.....</b>	<b>8</b>
	8.1 Fail Open Lock.....	8
	8.2 Fail Closed Lock.....	8
	8.3 Lock Suppression .....	8
<b>9</b>	<b>Exit Switch and Fire Switch Connections.....</b>	<b>9</b>
<b>10</b>	<b>Lock Release Time .....</b>	<b>9</b>
<b>11</b>	<b>Inner Door Interface to Elite System.....</b>	<b>10</b>
	11.1 Overview .....	10
	11.2 Interface Connections.....	10

## 4 Introduction

This guide covers the installation of EasiTag Single hardware and related features. For programming / setup of keys and other features, please refer to the EasiTag Setup Guide.

## 5 Cable Specification

Failure to comply with Entrotec's cable specification may result in erratic operation of equipment. The specification in Figure 1 shows the minimum cable requirements, allow for extra cabling if redundancy is a requirement.

Connection	Cable
<b>A</b> Between PSU and each EasiTag Single:	2 x 1.5mm <sup>2</sup> multi-stranded flex or singles (and earth).
<b>B</b> Between EasiTag Single and locks:	2 x 1.5mm <sup>2</sup> multi-stranded flex or singles (route through any exit or fire switch for fail safe operation).
<b>C</b> Between EasiTag Single and exit switch:	Unshielded Twisted Pair (UTP) cable, 2 cores. (See B).
<b>D</b> Between EasiTag Single and fire switch:	UTP cable, 2 cores. (See B).

FIGURE 1

### 5.1 Typical Configuration

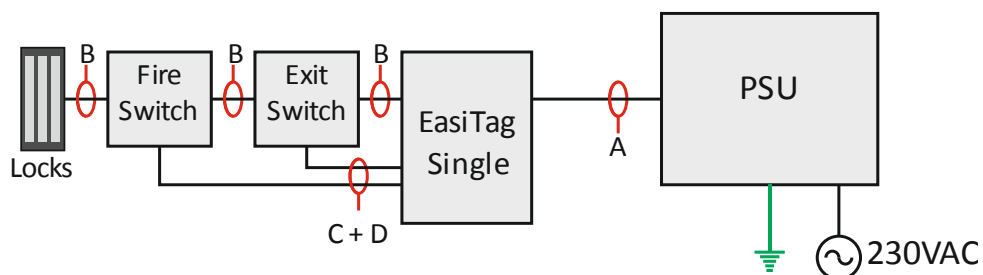


FIGURE 2

## 6 Overview

The EasiTag Single is an easy to use standalone access control system. It can store up to 250 user keys. Programming is fast and simple; the keys are securely added or deleted at the panel.

### 6.1 EasiTag Single Panel – Rear View

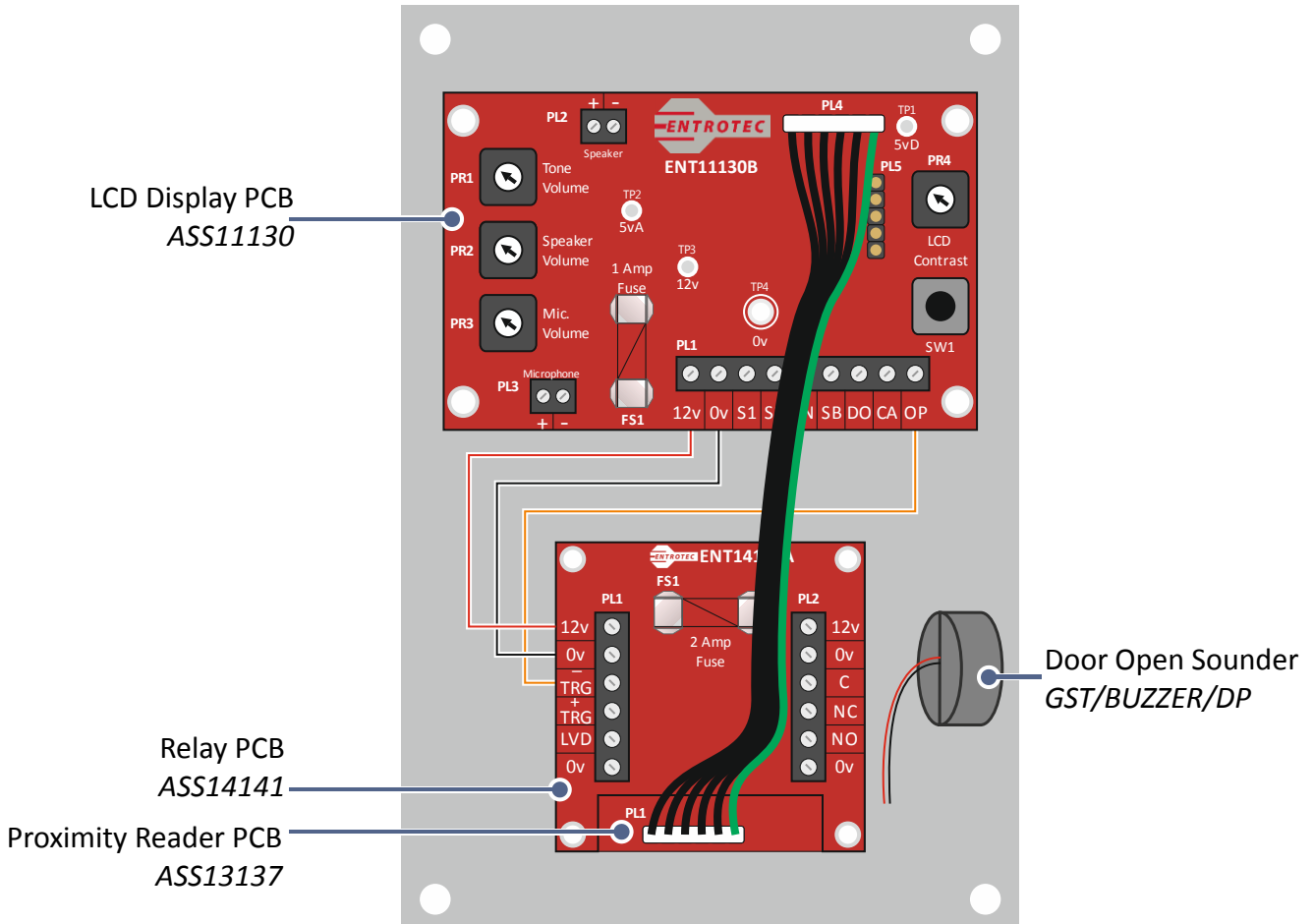


FIGURE 3

### 6.2 Connections, Settings and Fuses

Part	Item	Function
ASS11130	PL1	LCD display connections, exit switch input.
ASS11130	PL4	Proximity reader connection.
ASS11130	SW1	Programming button.
ASS11130	PR4	LCD display contrast adjustment.
ASS11130	FS1	1 Amp fuse (time delay). Main fuse.
ASS14141	PL1	Relay inputs.
ASS14141	PL2	Relay outputs, lock connections.
ASS14141	FS1	2 Amp fuse (time delay). Lock fuse.
ASS13137	PL1	Proximity reader connection.

FIGURE 4

### 6.3 EasiTag Single Panel – Front View

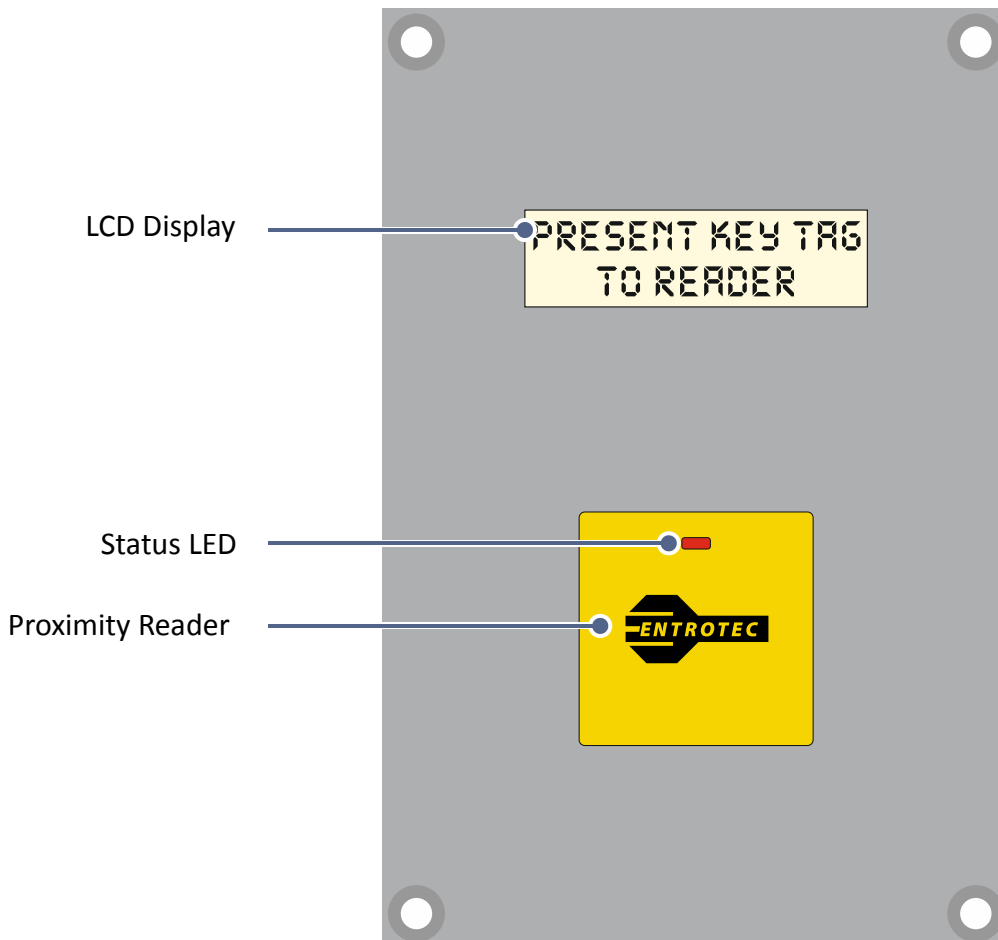


FIGURE 5

## 7 Power Supply Connections

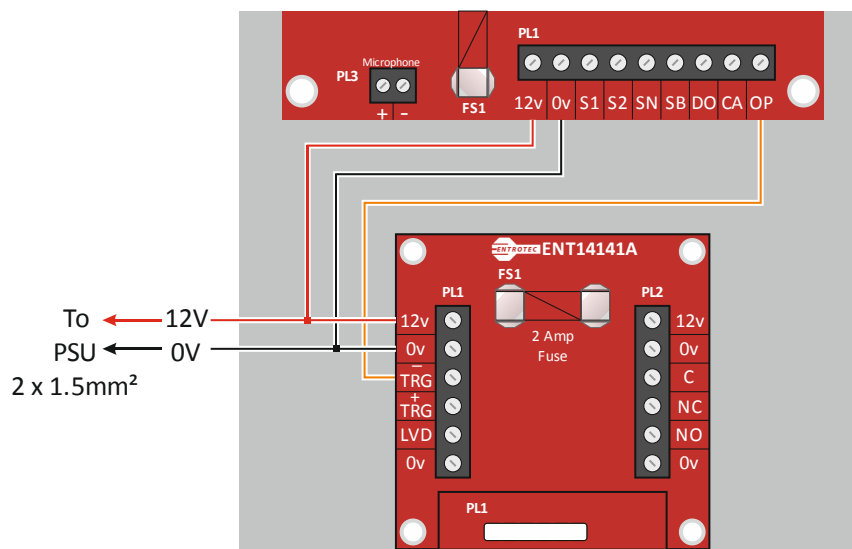


FIGURE 6

## 8 Lock Connections

### 8.1 Fail Open Lock

Figure 7 shows connections for fail open locks (power to hold), e.g. magnetic locks.

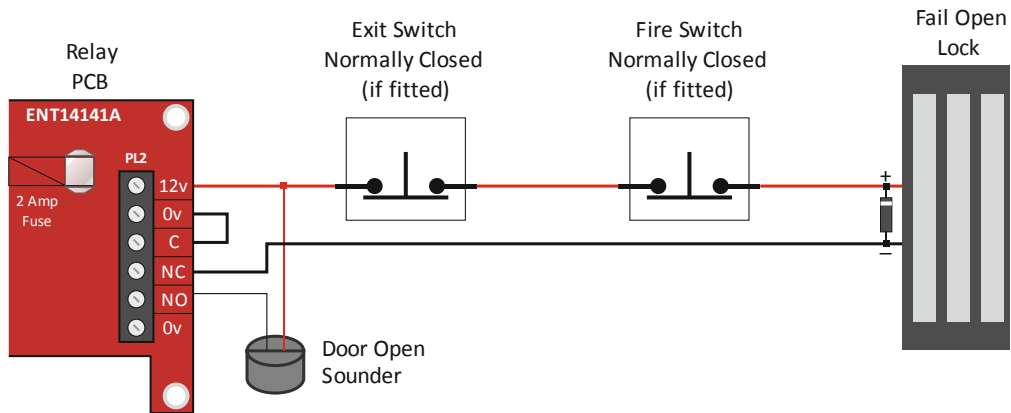


FIGURE 7

### 8.2 Fail Closed Lock

Figure 8 shows connections for fail closed locks (power to release), e.g. electric strike.

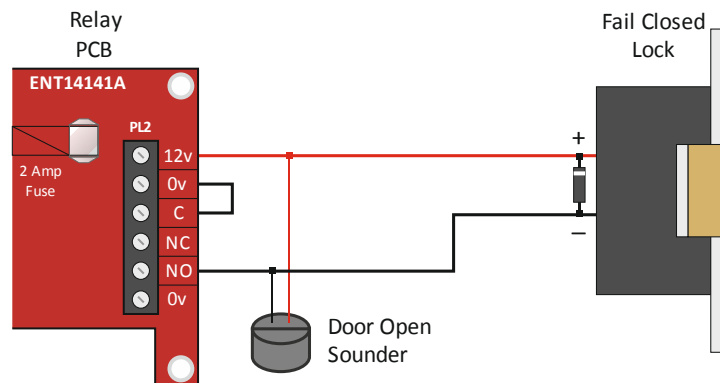


FIGURE 8

### 8.3 Lock Suppression

Entrotec recommend locks with built in suppression. If such a lock is not being used it is ESSENTIAL to fit suitable suppression, as close to the lock as possible. This prevents back EMF and spikes from damaging equipment. Failure to fit adequate suppression may invalidate any warranty.

Entrotec recommend fitting a 1N4007 diode as close to the lock as possible.



FIGURE 9



## 9 Exit Switch and Fire Switch Connections

Figure 10 shows connections for exit / fire switches.

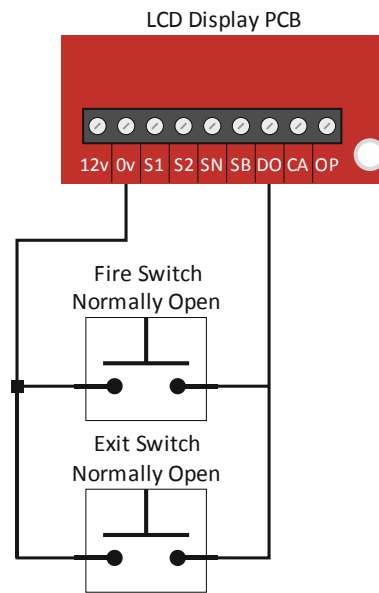


FIGURE 10

For double pole push to exit / fire switches with fail open locks, see section 8.1.

## 10 Lock Release Time

The lock time is adjustable between 1-60 seconds, the factory default is 5 seconds. This can be adjusted using the programming button on the LCD display PCB and a red master key.

Press the programming button repeatedly to scroll through the menu options until 'Lock time' is displayed (Figure 11), the current setting will be displayed.



FIGURE 11

Present the red master key to the reader to increment the lock time, repeat this step until the desired time is reached. To exit the programming menu, press the programming button or allow the system to automatically time out.

## 11 Inner Door Interface to Elite System

### 11.1 Overview

EasiTag Single can control an inner door on a system where the outer door is controlled by an Elite door entry system. This is a useful feature when a system has an inner door with no call panel, but is also opened by a resident called from the main door.

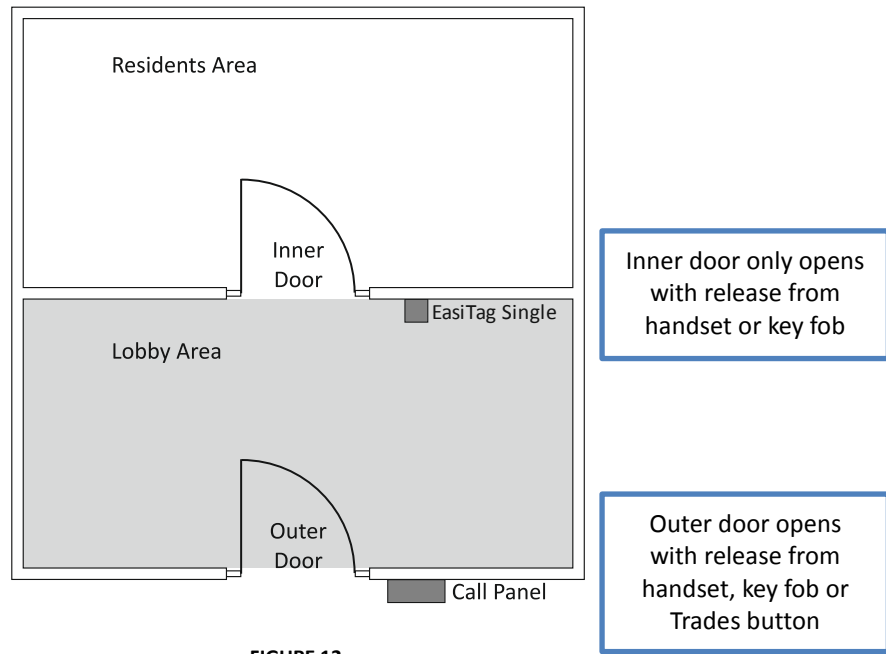


FIGURE 12

### 11.2 Interface Connections

Figure 13 shows connections for Elite door entry interface.

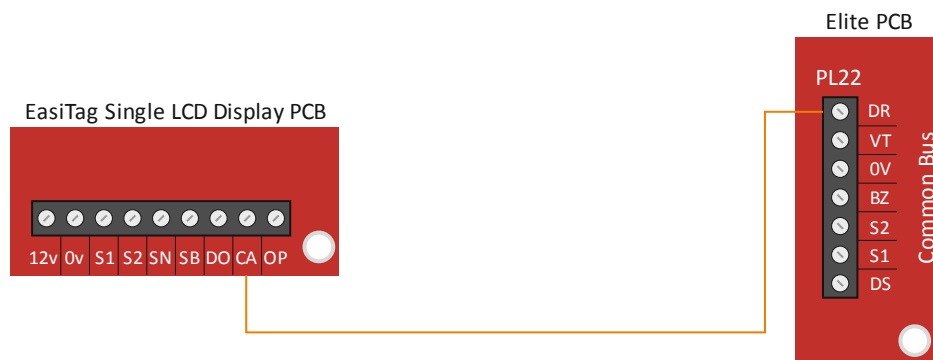


FIGURE 13





Entrotec Ltd  
5 Ashwood Court  
Oakbank  
Livingston EH53 0TL

Telephone: 01506 886 230  
Support: 0844 858 6370

[www.entrotec.com](http://www.entrotec.com)



Manufactured in the UK